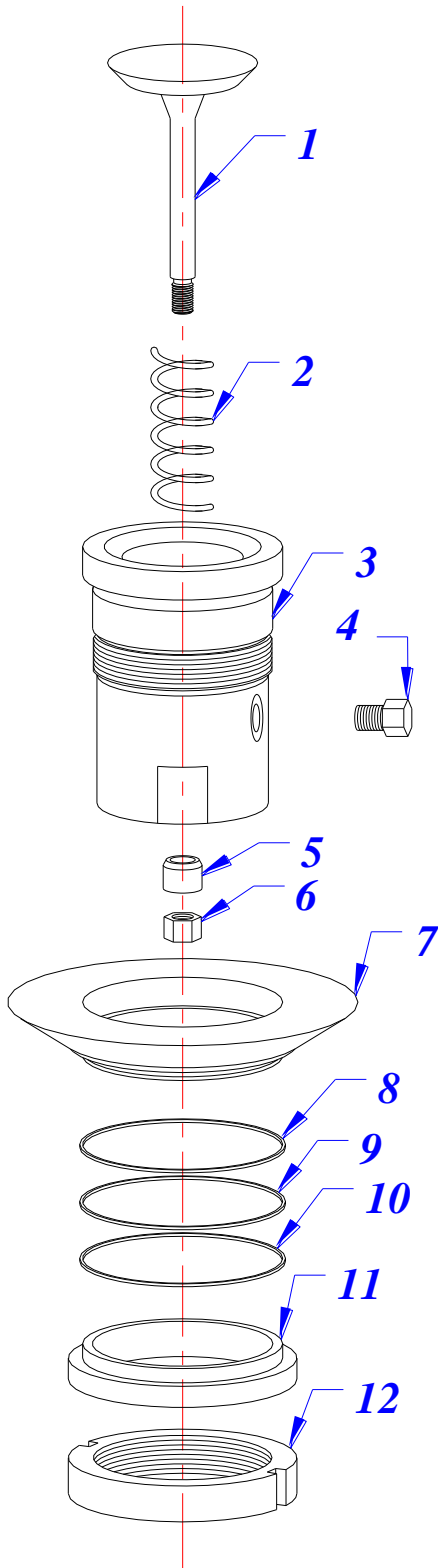


Fluid Port Specifications



3000 psi Assemblies

Part Description	3000 psi		
	1 Quart	1 Gallon	2 1/2 - 15 Gallon
Oil Port Assembly	AI-1QT-400	AI-1-6-400	AI-S3-400
Plug & Poppet Assembly	AI-1QT-401	AI-1-401	AI-S3-401
Oil Port Plug Only	AI-1QT-402	AI-1-402	AI-S3-402
Poppet	1 AI-1QT-404	AI-1-404	AI-S3-404
Spring	2 AI-1QT-409	AI-1-409	AI-S3-409
Oil Port	3 AI-1QT-402	AI-1-402	AI-S3-402
Bleed Plug	4	--	--
SAE	--	AI-S-418	AI-S-418
NPT	--	AI-S-419	AI-S-419
Piston	5 AI-1QT-405	AI-1-405	AI-S3-405
Stop Nut	6 AI-1QT-408	AI-1-408	AI-S3-408
Anti-Extrusion Ring	7 AI-1QT-407	AI-1-407	AI-S-407
Metal Back-Up Ring	8 AI-1QT-412	AI-1-412	AI-S-412
O-Ring	9 AI-1QT-410	AI-1-410	AI-S-410
Rubber Back-Up Ring	10	AI-1-411	AI-S-411
Spacer	11 AI-1QT-406	AI-1-406	AI-S3-406
Locknut	12 AI-1QT-403	AI-1-403	AI-S-403

5000 psi & 6000 psi Assemblies

Part Description	5000 psi & 6000 psi		
	5000 psi 1 Quart	5000 psi* 1 Gallon	6000 psi 2 1/2 - 15 Gallon
Oil Port Assembly	AI-1QT-400	AI-1-5-400	AI-S6-400
Plug & Poppet Assembly	AI-1QT-401	AI-1-5-401	AI-S6-401
Oil Port Plug Only	AI-1QT-402	AI-1-5-402	AI-S6-402
Poppet	1 AI-1QT-404	AI-1-404	AI-S-404
Spring	2 AI-1QT-409	AI-1-409	AI-S6-409
Oil Port	3 AI-1QT-402	AI-1-5-402	AI-S6-402
Bleed Plug	4	--	--
SAE	--	--	AI-S-418
NPT	--	--	AI-S-419
Piston	5 AI-1QT-405	AI-1-405-S	AI-S-405
Stop Nut	6 AI-1QT-408	AI-1-408	AI-S-408-SS
Anti-Extrusion Ring	7 AI-1QT-407	AI-1-407	AI-S-407-SS
Metal Back-Up Ring	8 AI-1QT-412	AI-1-412	AI-S-412
O-Ring	9 AI-1QT-410	AI-1-410	AI-S-410
Rubber Back-Up Ring	10	AI-1-411	AI-S-411
Spacer	11 AI-1QT-406	AI-1-5-406	AI-S6-406
Locknut	12 AI-1QT-403	AI-1-403	AI-S-403

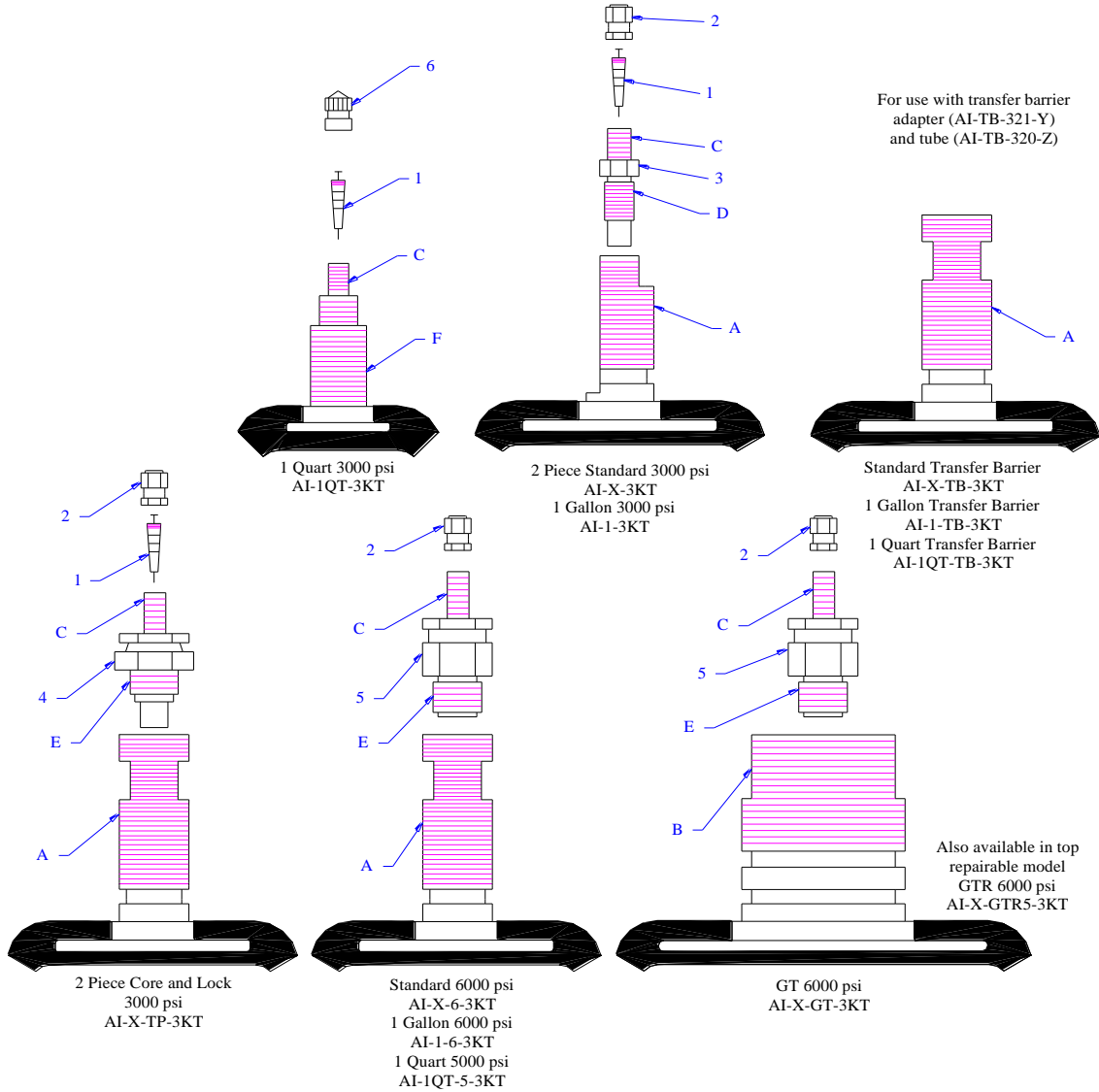
Thread Options

	1 Quart	1 Gal 3K	1 Gal 6K	Std. 3K	Std 6K
2"-11.5 NPT	--	--	--	None	None
1 1/2"-11 1/2 NPT	--	--	--	-1.5	-5
1 1/4"-11 1/2 NPT	--	None	None	-1	-1
1"-11 1/2 NPT	-1	--	--	--	--
3/4"-14 NPT	None	-1	-1	--	--
1 7/8"-12 SAE	--	--	--	-3	-3
1 5/8"-12 SAE	--	-3	-3	--	--
1 3/16"-12 SAE	--	--	--	-9	-9
1 1/16"-12 SAE	-3	--	--	--	--
Code 61, 3/4" SAE Split Flange	-4	--	--	--	--
Code 61, 1 1/2" SAE Split Flange	--	-4	--	--	--
Code 61, 2" SAE Split Flange	--	--	--	-4	--
Code 62, 1 1/2" SAE Split Flange	--	--	--	--	-4
2" BSPP	--	--	--	-7	--
3/4" BSPP	-7	--	--	--	--
Metric	-2	-2	-2	-2	-2
Other*	Call	Call	Call	Call	Call

*We have hundreds of custom sizes available.

*Some 1 gallon parts are available in 6000 psi designs. Call factory for details.

Gas Valve Specifications



Component Part Numbers

1 Valve Core	AI-S-304
2 Valve Cap	AI-S-303
3 Gas Valve, 3000 psi (Core only)	AI-GT3-309
4 Gas Valve, 3000 psi (Core and Lock) (AN-6287)	AI-S3-309
5 Gas Valve, 6000 psi (Lock only)	AI-S6-309
6 1 Quart Valve Cap	AI-1QT-303
7 Gas Valve, 10000 psi (Lock only, not shown)	AI-S10-309

Thread Specifications

A	7/8"-14 UNF-2A
B	2"-12 UNF-2A
C	.305"-32 UNEF
D	3/8"-24 UNF-2A
E	1/2"-20 UNF-2A
F	5/8"-18 UNF-2A
G	1/2"-20 UNF-2A

The part number under the valve stem references the bladder kit for the valve stem shown. Valve stems are only sold after molding as a bladder. Other special bladders are available upon request. "X" references the size of the accumulator (2.5, 5, 10, 11, or 15 gallon). "Y" references the type of transfer barrier adapter. "Z" references the type of transfer barrier tube.

Other custom designs are available including European styles